



SPECIFICATIONS SHEET

PRODUCT TYPE : MAGNETIC TRANSDUCER

PRODUCT SERIES : DBX

DESCRIPTION : MT TRANSDUCER 5V PIN NORYL

ROHS COMPLIANT

COLOR : BLACK

ELECTRICAL SPECIFICATIONS

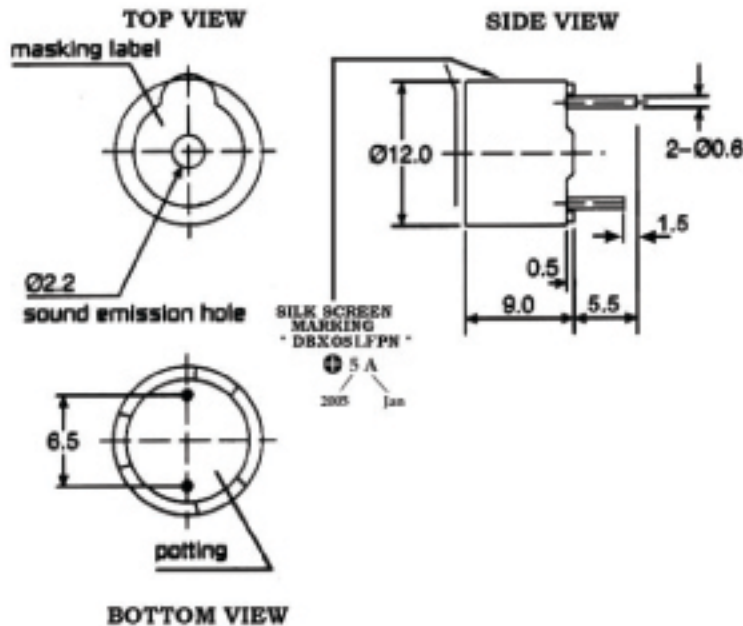
<u>MODEL NO.</u>		<u>DBX05LF - PN</u>
<u>OPERATING VOLTAGE RANGE</u>	(V)	3.0 ~ 8.0
<u>RATED VOLTAGE</u>	(V)	5.0
+ <u>MAX. RATED CURRENT</u>	(mA)	40.0
<u>COIL RESISTANCE</u>	(Ω)	47.0 \pm 5.0
* <u>COIL IMPEDANCE</u>	(Ω)	80
+ <u>MIN. SOUND OUTPUT AT 10 cm</u>	(dBA)	85
<u>RESONANT FREQUENCY</u>	(Hz)	2400
<u>OPERATING TEMPERATURE</u>	(° C)	- 40 ~ + 85
<u>TERMINAL</u>		PIN
<u>HOUSING MATERIAL</u>		NORYL
<u>WEIGHT</u>	(g)	2.0


+ Value applying rated voltage resonant frequency, 1/2 duty , square wave


* Value applying resonant frequency, 1/2 duty , square wave ,measuring current 60uA

DIMENSIONS

UNIT : mm



Approved By : 
Date : 13-Jun-2006

Prepared By : 
Date : 13-Jun-2006

Modify :	Date :	By :